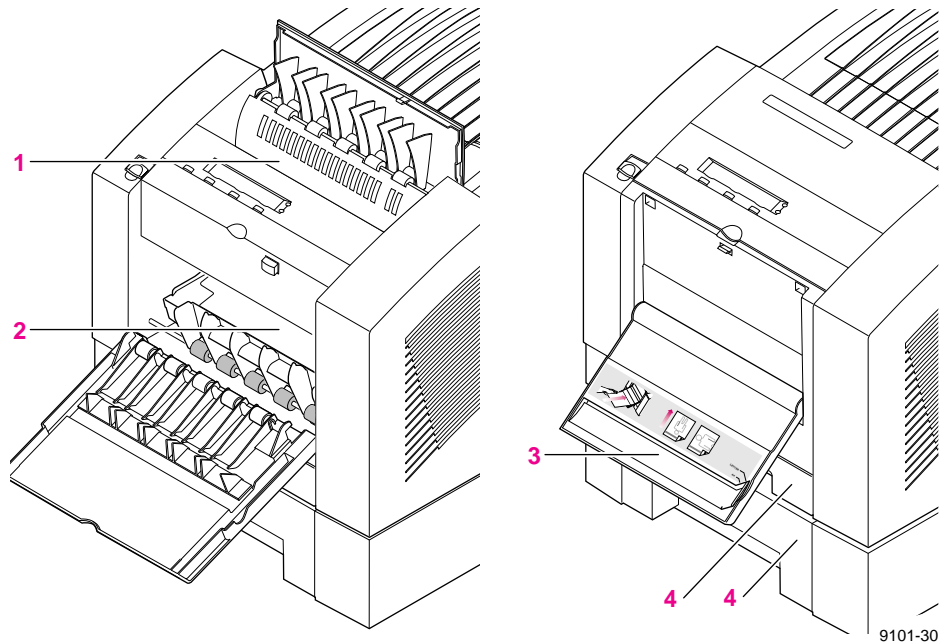


## Locating jammed media

Paper jams can occur in these places:

1. Inside the exit cover
2. Inside the front cover
3. At the manual feed slot
4. At the standard media tray and Lower Paper Tray Assembly



**Caution** *Some surfaces inside the printer may be hot. Be careful not to touch the areas marked with this caution icon:*

